

## Select Stoboscope S8130/2



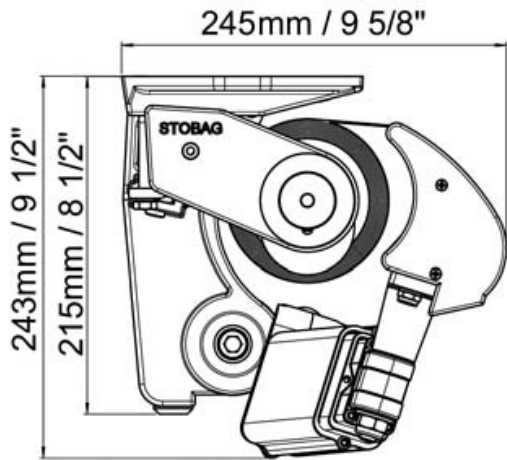
min. 285 cm / 9'4"  
max. 1800 cm / 59'



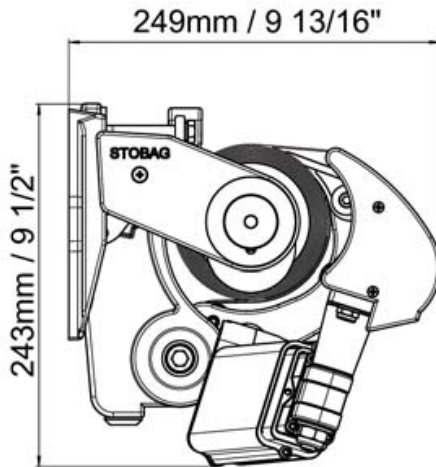
min. 250 cm / 8'2"  
max. 350 cm / 11'6"



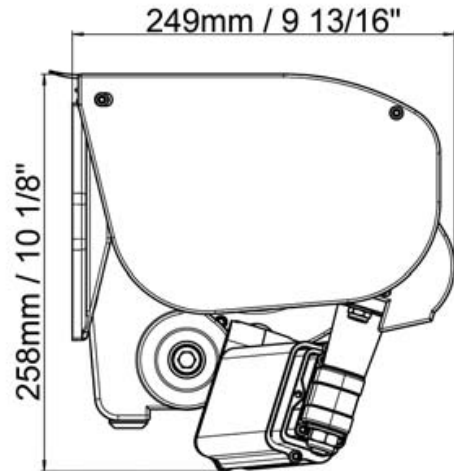
0° – 60°



**Ceiling mount**



**Wall mount**



**Wall mount with hood**